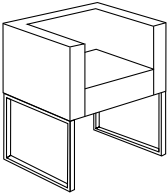
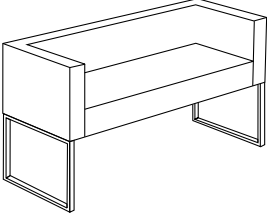
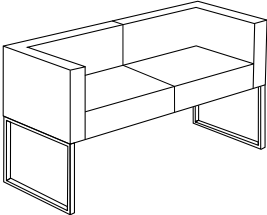
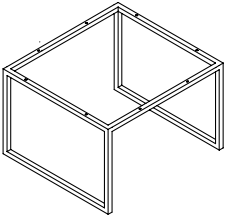


Dallas

Model	Description
<p>DALLAS CFS (Dallas armchair on sled base)</p> 	<p>Seat in the Dallas CFS model is planted on a metal frame encased in cast foam (polyurethane foam with appropriate hardness). CFS frame - made from high quality square profile steel tube with dimensions 20 × 20 mm. Available as a chromium plated model or powder-coated.</p> <p>Dimensions: 635 × 525 mm Height: 725 mm Seat height: 470 mm</p>
<p>DALLAS DUO CFS (2-seater sofa on sled base)</p> 	<p>The seat in the two-seater Dallas sofa is planted on a metal carcass encased in foam with appropriate thickness and density. CFS frame - made from high quality square profile steel tube with dimensions 20 × 20 mm. Available as a chromium plated model or powder-coated.</p> <p>Dimensions: 1350 × 525 mm Height: 725 mm Seat height: 470 mm</p>
<p>DALLAS DUO CFS (2-seater sofa on sled base)</p> 	<p>When upholstered in leather, stitching is visible in the centre of the seat and back pad.</p> <p>Dimensions: 1350 × 525 mm Height: 725 mm Seat height: 470 mm</p>

Model	Description
<p>DALLAS TABLE</p> 	<p>Table with glass top on chromium plated or powder-coated metal legs.</p> <p>Table top dimensions: 550 × 550 mm Top thickness: 10 mm Height: 520 mm</p>

* Toughened glass coated with ceramic paint on the bottom side. Attention, in one colour sets (white frame + white top) colour tint differences are possible though the same RAL colour.