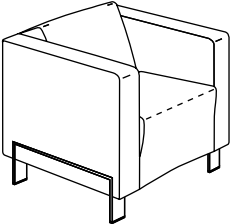
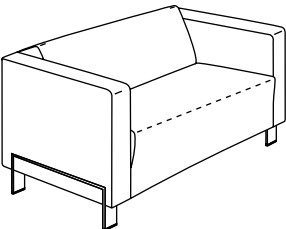
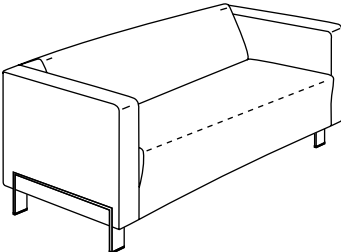
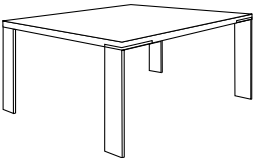
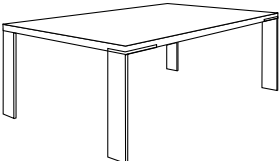


Studio

Model	Description
<p><b>STUDIO ARMCHAIR</b></p> 	<p>Armchair with its frame resting on chromium plated legs. Bonnell springs 120 and 75 mm have been used in the seat and backrest. Thanks to its simple yet smart form, this chair will look excellent in any interior.</p> <p>Dimensions: 760 × 750 mm Height: 700 mm Seat height: 440 mm</p>
<p><b>STUDIO 2-SEATER SOFA</b></p> 	<p>2-seater sofa with its overall construction supported by metal, chromium plated legs. Bonnell springs 120 and 75 mm have been used in the seat and backrest. Thanks to its simple yet smart form this sofa will look excellent in any interior.</p> <p>Dimensions: 1300 × 750 mm Height: 700 mm Seat height: 440 mm</p>
<p><b>STUDIO 3-SEATER SOFA</b></p> 	<p>3-seater sofa with its overall construction supported by metal, chromium plated legs. Bonnell springs 120 and 75 mm have been used in the seat and backrest. Thanks to its simple yet smart form this sofa will look excellent in any interior.</p> <p>Dimensions: 1900 × 750 mm Height: 700 mm Seat height: 440 mm</p>

Model	Description
<p><b>STUDIO TABLE 75 × 75</b></p> 	<p>Table with wooden top, laminated or veneered, on metal chromium plated legs.</p> <p>Dimensions: 750 × 750 mm Height: 405 mm Table top thickness: 28 mm</p>
<p><b>STUDIO TABLE 70 × 110</b></p> 	<p>Table with wooden top, laminated or veneered, on metal chromium plated legs.</p> <p>Dimensions: 700 × 1100 mm Height: 405 mm Table top thickness: 28 mm</p>